

LED LIGHTING CATALOGUE



WALTER FITTINGS

2025/2026

WWW.WALTER-FITTINGS.COM



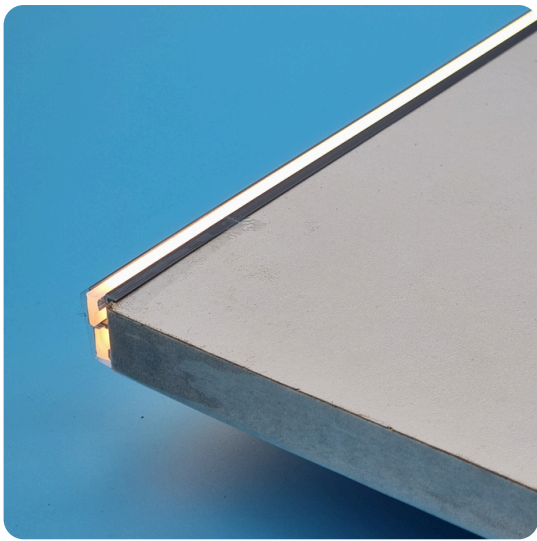
Who are we?

Walter Fittings is a family-run company, specialising in premium plug-and-play LED lighting solutions with a focus on LED shelf lighting and unique products like our 45° angled shelf lights and recessed LED spotlights.

With all stock held in the UK, we offer fast delivery service. With a combined 45 years of experience in the carpentry and joinery industry, we offer a practical, personalised customer service. We're always available by phone, social media, or our contact form for product support.

Our commitment to quality and innovation means Walter Fittings brings elegant, modern LED lighting solutions to homes and businesses alike.

Established in 2024

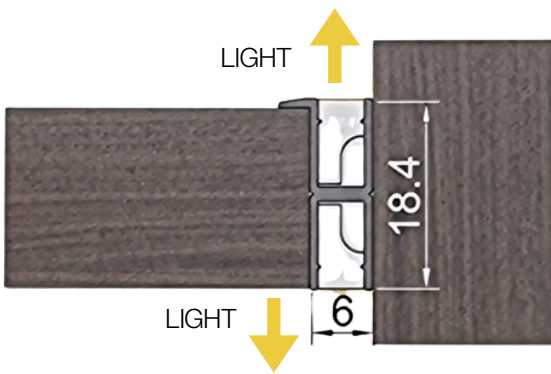


UP-DOWN SHELF LIGHT

TECHNICAL INFORMATION

POWER CONSUMPTION	16 W/M
VOLTAGE	12V DC
BEAM ANGLE	+90° -90°
COLOUR	BRUSHED GUNMETAL
SIZES	600MM 1000MM
CABLE LENGTH	1M
CUT EVERY 25MM (SEE CUTTING INSTRUCTIONS PAGE 9)*	

PRODUCT DIMENSIONS



COLOUR TEMPERATURE OPTIONS

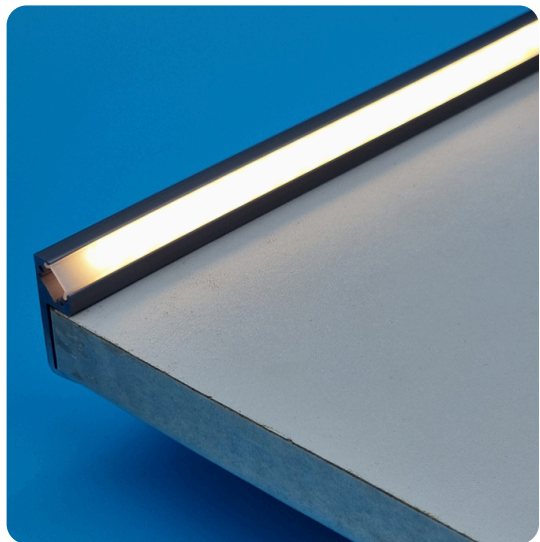
<input type="radio"/>	NATURAL WHITE	4000K
<input checked="" type="radio"/>	WARM WHITE	2700K

This aluminium profiled **up-down** shelf light slides onto the front or back of any 18mm+ board, secured by its top ledge. A 3M adhesive strip ensures a firm hold, casting a clean, beam of light both upward and downward. It can be cut every 25MM*

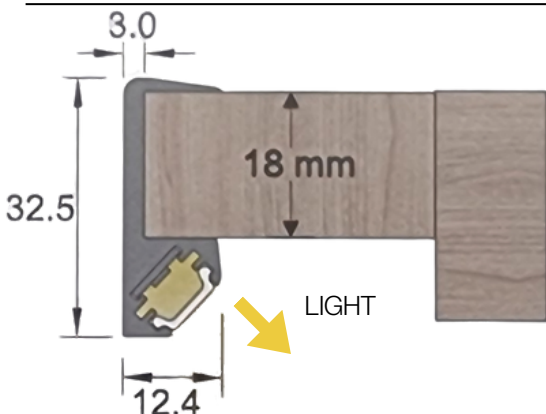
45° SINGLE ANGLED SHELF LIGHT

TECHNICAL INFORMATION

POWER CONSUMPTION	10 W/M
VOLTAGE	12V DC
BEAM ANGLE	45°
COLOUR	BRUSHED GUNMETAL
SIZES	560MM 760MM 960MM
CABLE LENGTH	1M
CUT EVERY 25MM (SEE CUTTING INSTRUCTIONS PAGE 9)*	



PRODUCT DIMENSIONS



COLOUR TEMPERATURE OPTIONS

<input type="radio"/>	NATURAL WHITE	4000K
<input checked="" type="radio"/>	WARM WHITE	2700K

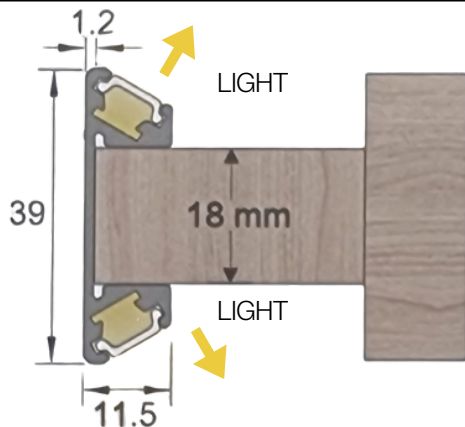
This **single** aluminium 45° light shelf support slides onto the front or back of any 18mm board, secured by its recess. A 3M adhesive strip provides a strong hold, directing an ambient glow of light at a 45° angle, either upward or downward. It can be cut every 25MM*

45° DOUBLE ANGLED SHELF LIGHT

TECHNICAL INFORMATION

POWER CONSUMPTION	20 W/M
VOLTAGE	12V DC
BEAM ANGLE	+45° -45°
COLOUR	BRUSHED GUNMETAL
SIZES	560MM 760MM 960MM 1180MM
CABLE LENGTH	1M
CUT EVERY 25MM (SEE CUTTING INSTRUCTIONS PAGE 9)*	

PRODUCT DIMENSIONS



COLOUR TEMPERATURE OPTIONS

<input type="radio"/>	NATURAL WHITE	4000K
<input checked="" type="radio"/>	WARM WHITE	2700K

This **double** aluminium 45° light shelf support slides onto the front or back of any 18mm board, secured by its recess. A 3M adhesive strip provides a strong hold, directing an ambient glow of light at a 45° angle, up and down. It can be cut every 25MM*

HOW TO INSTALL THE SENSOR AMP

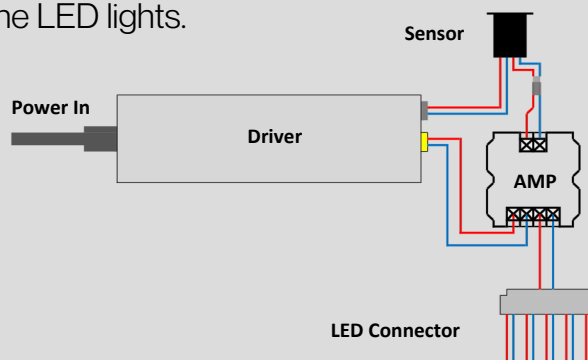
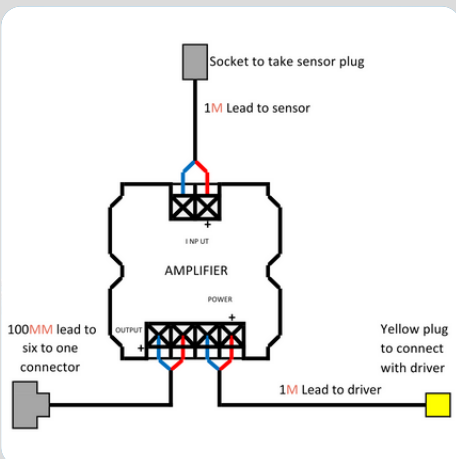
The sensors support a maximum current of 3A, so if your LED installation exceeds 30W, an amplifier will be required. This will be included with your order.

PLUG THE SENSOR IN

The male end of the sensor plugs into the driver's side port as usual, while the female end connects to the male connector on top of the amplifier. This **plug-and-play** setup requires no wiring.

PLUG THE POWER IN

The yellow connector at the bottom right of the amplifier supplies power, simply connect it to the yellow port on the driver. The signal is now amplified, allowing all six ports to power the LED lights.



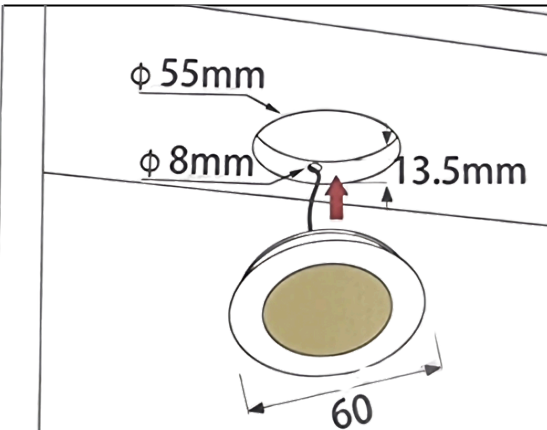
ROUND RECESSED CABINET LIGHT

TECHNICAL INFORMATION

POWER CONSUMPTION	1.7 W
VOLTAGE	12V DC
COLOUR	TURNT ALUMINIUM
CABLE LENGTH	1 M



PRODUCT DIMENSIONS



COLOUR TEMPERATURE

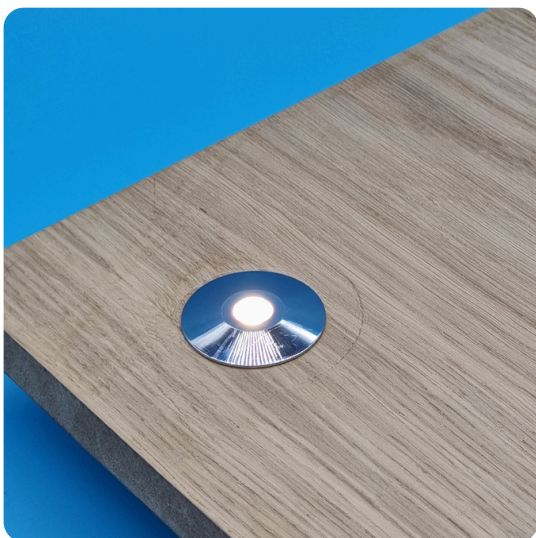
● WARM WHITE	2700K
--------------	-------

The Round Recessed Cabinet Light provides soft, even illumination with a slim design and matte white diffuser. Ideal for cabinets, wardrobes, and display units, it is energy-efficient and **plug-and-play**, making it easy to place and install with a 1m cable.

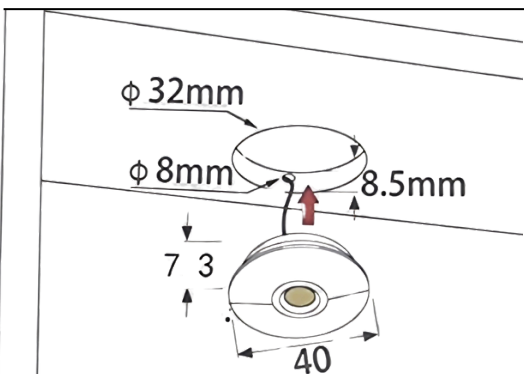
MINI MARKER CABINET LIGHT

TECHNICAL INFORMATION

POWER CONSUMPTION	1.2 W
VOLTAGE	12V DC
COLOUR	CHROMED FINISH
CABLE LENGTH	1 M



PRODUCT DIMENSIONS



COLOUR TEMPERATURE

● WARM WHITE	2700K
--------------	-------

The Chrome Mini Marker Cabinet Light provides focused, spotless illumination with a sleek chrome finish. Its compact design is ideal for stairs, cabinets and display shelves. Energy-efficient and **plug-and-play**, it is easy to place and install with a 1m cable.

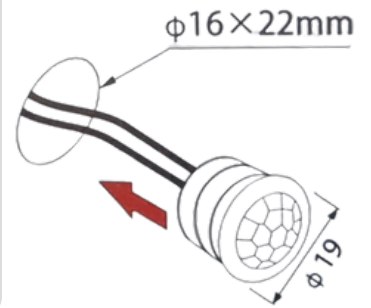


PIR SENSOR

DETECTION RANGE	3M
LEAD LENGTH	1M
APPLICATION IDEA	WALK IN WARDROBES

The PIR motion sensor allows hands-free lighting with a 3M detection range. It's compact and easy to install. Ideal for bathrooms and wardrobes, it turns on with movement and off after 30 seconds.

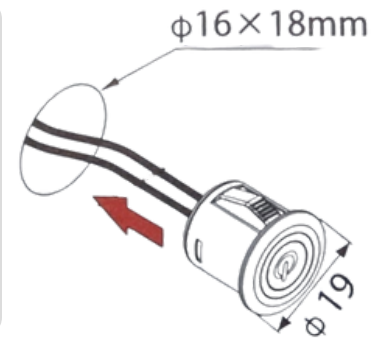
Plug-and-play for a simple install.



TOUCH DIMMER SWITCH

DETECTION RANGE	TOUCH
LEAD LENGTH	1M
FUNCTION	ON/OFF/DIM

The touch dimmer switch offers **on/off** control with a tap and dimming by holding. It has a discreet blue light ring and a long lead for hidden installation. No additional parts required. **Plug-and-play** for easy setup.

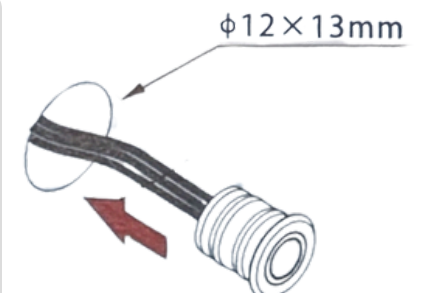


DOOR SENSOR SWITCH

DETECTION RANGE	3CM
LEAD LENGTH	1M
APPLICATION IDEA	SINGLE OR DOUBLE DOORS

The door sensor switch activates lights when the door opens. It supports up to two sensors for single or double-door cabinets. Includes a long 1M lead for flexible placement.

Plug-and-play for easy installation.

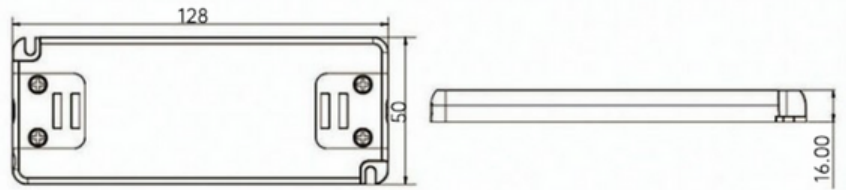




20W DRIVER

N.O OF OUTPUT PORTS	1
N.O OF HIGH VOLTAGE PORTS	0
PLUG TYPE	UK 3 PIN
POWER TYPE	12V DC
LEAD LENGTH	1.5 M

The 20W driver is ideal for single-shelf installations or up to 10 spotlights. It features a UK plug, mounting holes, and is pre-wired for a **plug-and-play** system.



40W, 60W, 100W DRIVER

N.O OF OUTPUT PORTS	6
N.O OF HIGH VOLTAGE PORTS	1
PLUG TYPE	UK 3 PIN
POWER TYPE	12V DC
LEAD LENGTH	1.5 M

This driver is ideal for larger LED installations, featuring six output ports expandable with a 6-to-1 adapter. All pre-wired **plug-and play**.





RF REMOTE

RANGE	30 M
BATTERY TYPE	CR2032
SIZE	11CM x 6CM x 1CM

The RF remote offers **on/off** control, variable dimming, and up to four-zone selection for customised ambience. Easy to pair and set up—see the box below for details.

RF REMOTE DIMMER

N.O OF OUTPUT PORTS	1
HIGH VOLTAGE PORTS	1
SIZE	3.5CM x 10CM x 2CM
LEAD LENGTH	1M

The RF remote dimmer unit is required to connect your RF controller to your lighting installation. It is only needed for the RF controller and not for other dimmers.



HOW TO PAIR THE REMOTE DIMMER

To install, plug the RF remote dimmer into the high-voltage yellow port on the driver, then connect the LED, 6-to-1 adapter, or extension cable to the female end to setup as normal. A green light will show on the dimmer unit.

PAIRING CONTROLLER TO ZONES

To pair, press the match button on the dimmer unit three times so the green light flashes slowly. Then, press the desired zone number on the controller. The green light will turn solid when paired. The dimming wheel can then be used for the selected zone.

POWER CONTROLS

To turn all paired lights **on/off**, press the power button on the controller while aiming it at the lights. To control an individual zone, short press the zone number to turn it on and hold the zone number to turn it off.



6 TO 1 ADAPTOR

PORTS OUT	6
PORTS IN	1
LEAD LENGTH	10 CM

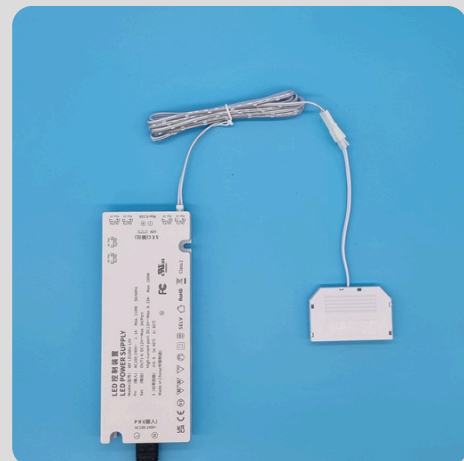
The 6-to-1 adapter allows multiple LEDs to connect to a single driver, provided the total wattage stays within the rated limit. It only uses one driver port and has a 10CM lead for easy installation.



2M EXTENSION CABLE

PORTS OUT	1
PORTS IN	1
LEAD LENGTH	2 M

The 2-meter extension cable extends the distance between the driver and your lights or sensor. It has one male end and one female end. It can also be paired with a 6-to-1 adapter to suit various installations.



HOW TO INSTALL ACCESSORY CABLES

Our entire lighting system is **plug-and-play**. To connect a 6-to-1 adaptor or a 2M extension cable, simply plug the male end into the driver and the female end into the LED or adaptor, no wiring is required.

EXAMPLE INSTALL

For example, in a media wall setup, you could use a 60W driver to power two 960MM 45° double angled shelf lights (40W) and six recessed cabinet lights (11W). To fit your installation, the recessed lights can be connected via a 6-to-1 adaptor, while the shelf lights can be linked using a multiple 2m extension cables as the total wattage is less than 60W.

HOW TO CUT SHELF LIGHTS

REMOVE THE DIFFUSER

To remove the diffuser from the aluminium housing, slide it along its alignment channels. If it's tight, use a small flat-head screwdriver with tape on the end to gently push against the edge. This will release it, allowing the diffuser to slide out fully and expose the LED strip.

For the **Up-Down** shelf light, the silicone diffuser can simply be pulled up out of the housing.



IDENTIFY THE CUT POINTS

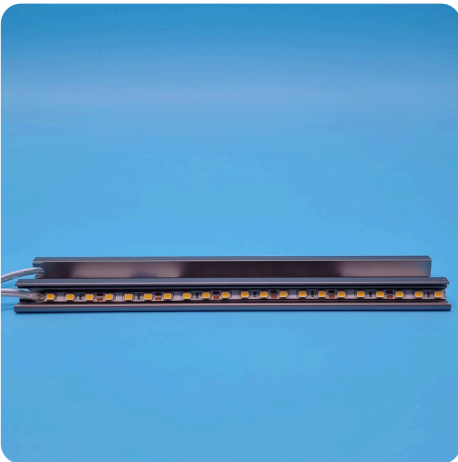
The cutting points are approximately every 25MM from the start of the strip, or every three LEDs. They are easily identified by the double bronze circles, as shown in the picture.

On the **Up-Down** shelf light, the cutting points can be harder to see due to the thinner profile. However, the LEDs are the same, so they are still every three LEDs or approximately 25MM.



CUT THE ALUMINIUM PROFILE & LED STRIP

Once the cutting point is identified, the profile and LED strip can be cut using a chop saw with a thin aluminium blade. The excess material cannot be reused.



CUT THE DIFFUSER

The diffuser is made from hard PVC plastic. For an accurate cut, slide it into the newly cut aluminium profile, mark the edge with a pencil, and cut it using a chop saw.

For the **Up-Down** shelf light, the diffuser is made from soft silicone. We recommend sliding it into the newly cut aluminium profile, marking the edge with a pencil, and cutting it with a sharp utility knife or scissors.



Adhesive Smart Film



What is it?

Smart film is an electronic-based self-adhesive film made of a liquid crystal/polymer hybrid material. This innovative film can switch from opaque to transparent at the click of a button, making it a versatile solution for privacy, interior design, and heat management. It can be retrofitted to any internal window, creating privacy in open spaces or adding a wow factor to your glass display.

Features:

Privacy Control: Instantly make your glass private and secure from prying eyes with the click of a button, turning your windows opaque as needed.

Simple Retrofit: Easily applied to existing windows just like any window tint, enhancing privacy and style without the need to replace the entire glass pane.

Infrared and UV Blocking: Blocks out 98% of infrared rays, naturally cooling the room, and blocks 99% of ultraviolet rays to protect furniture and clothing from fading.

Various Control Methods: We offer a wide selection of controls to meet your needs, including wireless, wired, infrared, voice control, or mobile app options.



What we offer:

We provide bespoke smart film solutions cut to size and sold as a kit to suit any project. Our comprehensive package includes everything from the film, wiring, drivers, and tools needed for installation. We offer a wide range of opacity options, colours, and patterns. With our extensive range of controls, smart film can be seamlessly integrated into any space to provide a wow factor and saving the need for blinds or curtains.

Applications:

Smart film offers versatile applications, from enhancing privacy in offices and homes to elevating retail displays, hotels, and restaurants. It's also a standout feature for wine cellars or glass garages, showcasing what's behind with style.



ALL UK STOCK- FAST DELIVERY



07918 834469



sales@walter-fittings.com



harvey@walter-fittings.com



[walter.fittings](https://www.instagram.com/walter.fittings)

WWW.WALTER-FITTINGS.COM